

# Data sheet

EVC 01



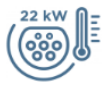
## Small but powerfull

Home charging should be seamless.

Compact and future proof, the EVC01 also offers a unique style factor.

# Highlights

Version: 03/2023



Up to 22 kW AC charging until 50°C constantly



Local and remote load management



RFID activation already included in



High Secure Data Communication



Wireless configuration



Online via cellular, Wi-Fi or ethernet



# Highlights

Version: 03/2023

## Best for your home

Charging at home is the most convenient way of filling the battery. No detours, not checking which price is display at fuel stations. Just drive home, plug in, relax...



No need to worry about your grid constraints with smart load management features

Thanks to its smart load management features, the EVC01 can adjust the output power according to your home's consumption. It communicates with solar energy systems and allows you to charge your vehicle only with green energy.

## Monitor your charging via Drive Green Next.

With Drive Green Next, you can remotely control the EVC01, schedule your charging process and control power.



# Technical data

Version: 03/2023

## General information

Charging mode	AC, mode 3
Number of charging points	1
Charging connector	AC Type-2 tethered cable
Cable length	5 or 7 meters
IT backend connection	OCPP 1.6 JSON
Authorization	Free mode, RFID, mobile app., OCPP remote
Package dimensions (HxWxD)	TBD

## Mechanical details

Mounting type	Wall or pole mounted
Enclosure material	PC Plastic (5VA flame retardant)
Dimensions (HxWxD)	260 x 260 x 120 mm
Weight	4 kg with cable

## Electrical data

Max. charging output per charge point	22 kW
Input: Nominal voltage, number of phases	1-P; 230 V <sub>ac</sub> ±10%, 50/60 Hz 3-P; 400 V <sub>ac</sub> ±10%, 50/60 Hz
Output: Voltage	230-400V
Output: Current	10-13-16-20-25-30-32A (AC7 and AC22 series) 10-13-16A (AC11 series)
Stand-by power consumption	<5W
Earthing system	3L+N+PE (TN, TT)
IEC Protection class	Class I
DC Residual Current Sense	6 mA
Internal Protection	Over Current, Over Voltage, Under Voltage, DC/AC Residual Current, Over Temperature, Short Circuit, Socket Interlock, Surge/Lightning, Earth Fault, Phase- Neutral Reverse Detection

# Technical data

Version: 03/2023

## Connectivity

Communication interface (Optional)	Wi-Fi, ethernet, cellular (2G/3G/4G)
Protocols for communication with IT backend	OCPP 1.6 JSON
Communication with third-party devices	Modbus TCP/IP
Authentication methods	Free mode, RFID or mobile application
User Interface	Configuration user interface
Display	NA

## Certification

IP protection class	IP 54
Impact resistance	IK 10
Approvals	CE, RoHS, REACH, GPSD, WEEE
Standards	IEC 61851-1/22/24/21-2, IEC 60950-1/22, EN 61000-6-1/2/3/4, EN 301 489-1/3/17/52, EN 300 328 , EN 301 893 , EN 301 511, EN 301 908-1, EN 300 330

## Environmental conditions

Environmental operating temperature	-25°C to + 50 °C
Humidity	5 % - 95 % (Rel. humidity, non-cond.)
Cooling	NA
Areas of use	Internal & External areas
Operating altitude above sea level	0 - 3000 m

# Technical data

Version: 03/2023

## Product versions

EVC01-AC\*\*\*\*

EVC01 : Electric Vehicle AC Charger (Mechanical Cabinet EVC01)

1st Asterisk (\*): Rated Power

7	: 7.4 kW (1Phase Supply Equipment)
11	: 11 kW (3Phase Supply Equipment)
22	: 22 kW (3Phase Supply Equipment)

2nd Asterisk (\*) can include combinations of the following communication module options. RFID reader is standard equipment for all of the model variants. "S" option must be included for selecting combinations of W, L and P:

Blank	: No connectivity module except RFID reader
S	: Smart Board with Ethernet Port
W	: Wi-Fi module or WiFi & Bluetooth module
L	: LTE / 3G / 2G module
P	: ISO 15118 PLC module

3rd Asterisk (\*): Broken PEN Detection Option

Blank	: No broken PEN detection functionality
PEN	: Broken PEN detection and disconnection function

4th Asterisk (\*) can be one of the following for tethered cable length

T2P	: Type2 Charging Cable with 5m
T2P7	: Type2 Charging Cable with 7m

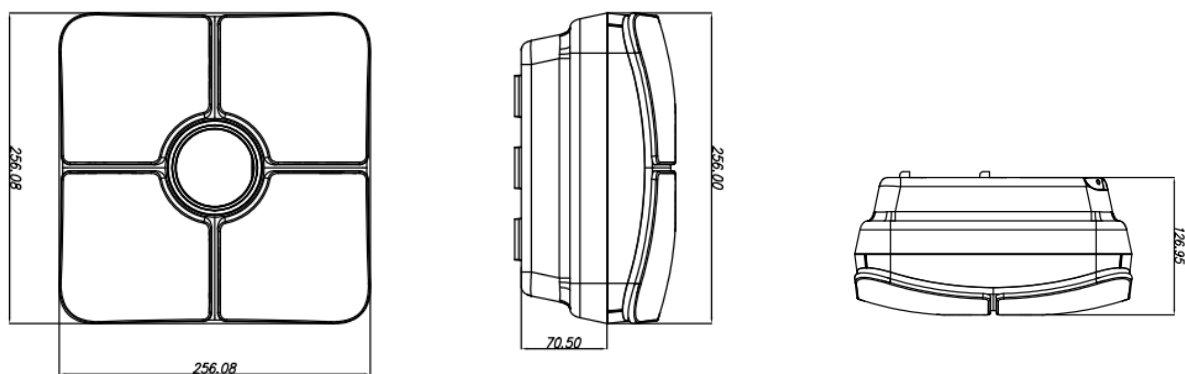
5th Asterisk (\*) can be one of the following:

WHT	: w/White Cosmetic Cover
-----	--------------------------

# Technical data

Version: 03/2023

## Technical drawing



## Additional accessories

### **EVC 01**

---

Steel stand

---

Power Optimizer for Dynamic Load Management

---

Current Transformers for Dynamic Load Management

---